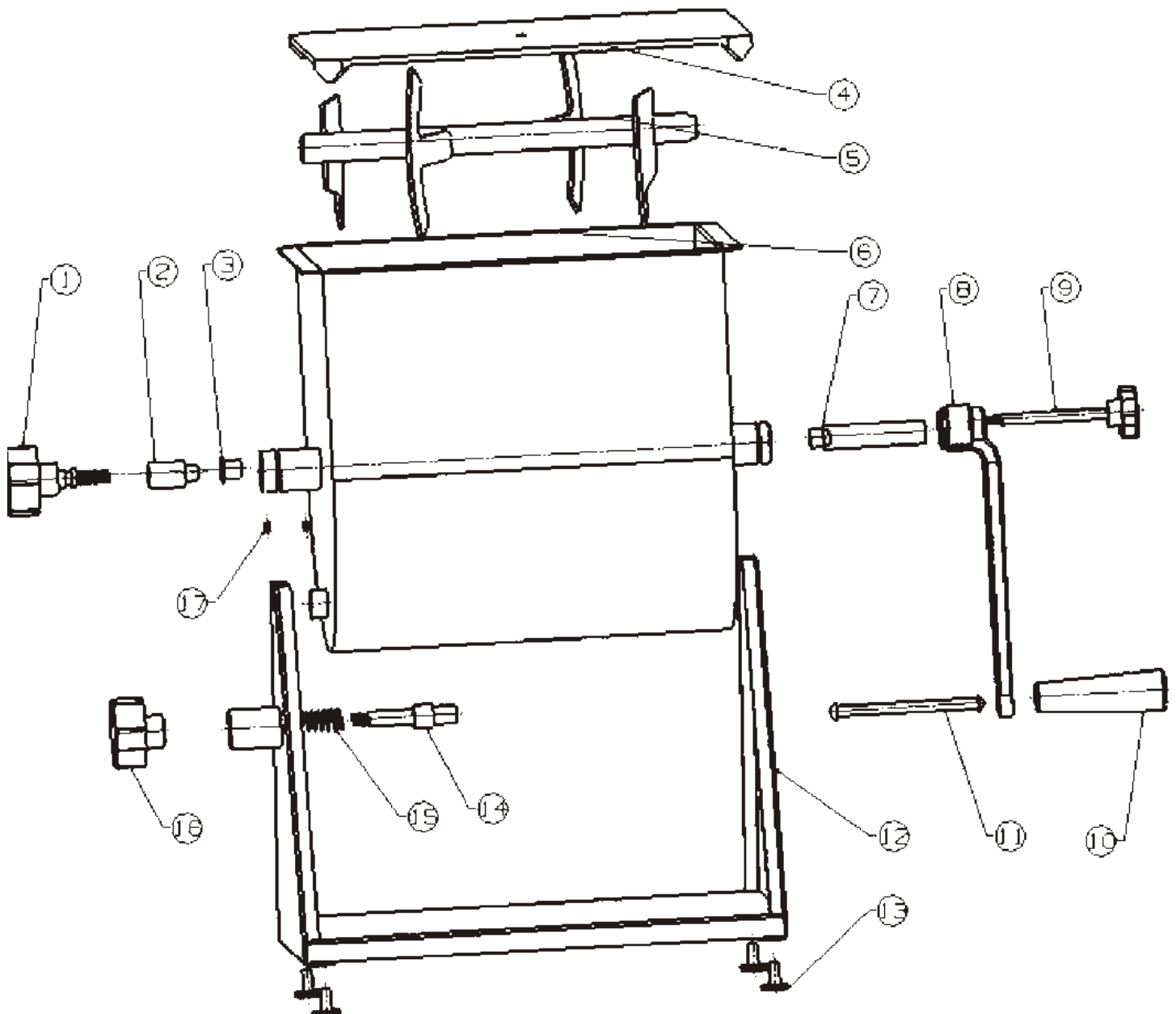


Parts Breakdown

Item 19203





Parts Breakdown

Item 19203

Item No.	Description	Position	Item No.	Description	Position	Item No.	Description	Position
21157	Paddle Knob for 19203	1	21163	Gear Axle for 19203	7	21169	Rubber Feet for 19203	13
21158	Gear Axle for 19203	2	21164	Crank Assy for 19203	8	21170	Axle for 19203	14
21159	Gear Sleeve for 19203	3	21165	Handle Knob for 19203	9	21171	Spring for 19203	15
21160	Tank Cover for 19203	4	21166	Handle for 19203	10	21172	Bolt for Non-Rotating Operation for 19203	16
21161	Axle with Paddles for 19203	5	21167	Pin Shaft for 19203	11	21173	Bolt for 19203	17
21162	Tank for 19203	6	21168	Stand for 19203	12			